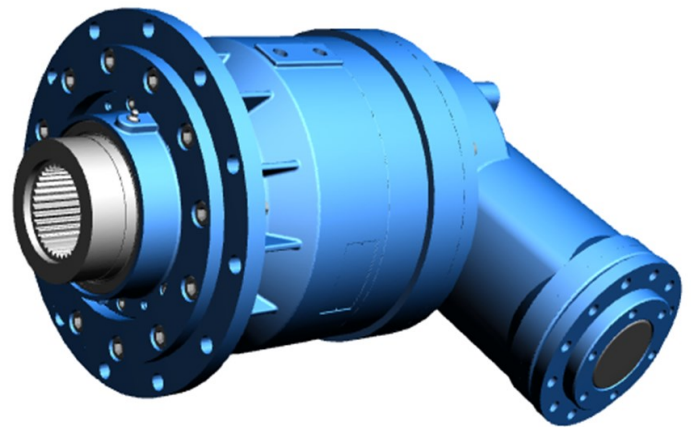




UNLEASHING  
**POWER**



UNLOCKING  
**VALUE**



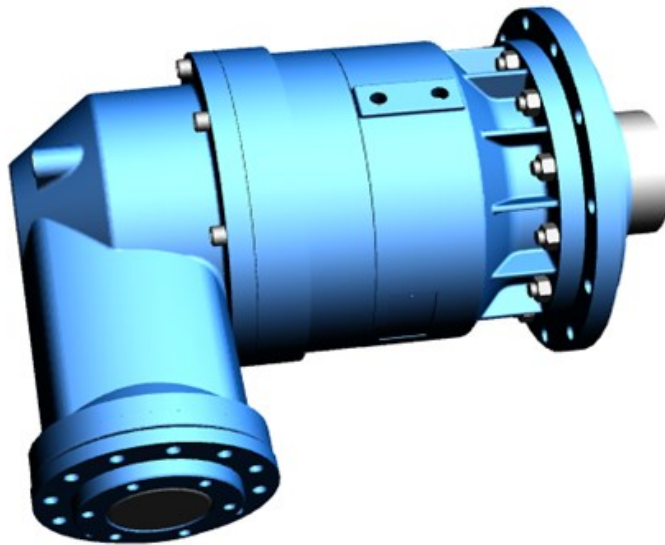
## **PUG MILL GEAR BOX**

**SOLUTION FOR BATCH MIXING IN CONSTRUCTION**

**Power Build Pvt Ltd** (also known as PBL) is the pioneer in mechanical power transmission industry for medium torque category since its inception in 1972. Geared motors, gearboxes and other drive solutions of **RADICON POWERBUILD** range are designed to cater to the most complex needs of a wide cross-section of the Industry. **RADICON POWERBUILD** brings the advantage of proven technology and modern manufacturing processes at your disposal. Our global network of branches ensures that you always find technical support at your doorstep.

## Series PR

Right Angle Planetary Gear Box



## Pug Mill

A pug mill is a machine in which materials are mixed with a liquid. Industrial applications in construction Industry are found in the concrete and asphalt mixing processes.

A pug mill is a fast continuous mixer. A continuous Pug mill can achieve a thoroughly mixed, homogeneous mixture in a very short time. A typical pug mill consists of a horizontal box like chamber with an inlet at the top and discharge at bottom.

There are two shafts with opposing paddles, and a drive assembly mainly combination of 2 gear boxes and motor. It is very important that both the shaft are synchronized so they do not collide with each other.

**Radicon Power Build has an efficient solution with right angle planetary Gear Boxes which suits the most for Pug Mill application.**

GEARED MOTORS • GEARBOXES • GEAR ASSEMBLIES • DRIVE SOLUTIONS

**POWER BUILD PVT LTD**  
Leaders in Power Transmission Solutions

Anand Sojitra Road, Vallabh Vidyanagar, Anand - 388120 (Gujarat) India • Tel.: +91 (2692) 231070, 231120, 231170, Mo.: +91 97277 19344